

[54] TOY ROBOT

[75] Inventor: Masami Shiraishi, Tokyo, Japan
[73] Assignee: Tomy Kogyo Co., Inc., Tokyo, Japan
[**] Term: 14 Years
[21] Appl. No.: 795,826
[22] Filed: Nov. 7, 1985
[30] Foreign Application Priority Data

May 10, 1985 [JP] Japan 60-19123
[52] U.S. Cl. D21/150
[58] Field of Search D21/150; 446/290-292,
446/71-75, 99, 100, 376, 487

[56] References Cited

U.S. PATENT DOCUMENTS

D. 251,628 4/1979 McQuarrie et al. D21/150

D. 258,900 4/1981 Lanusse D21/150

OTHER PUBLICATIONS

Playthings, Jun., 1984, p. 43, middle right, Ver-Bot in center of illustration.

Primary Examiner—Melvin B. Feifer
Attorney, Agent, or Firm—Staas & Halsey

[57] CLAIM

The ornamental design for a toy robot, as shown.

DESCRIPTION

FIG. 1 is a front elevational view of a toy robot showing my new design;
FIG. 2 is a rear elevational view thereof;
FIG. 3 is a right side elevational view thereof;
FIG. 4 is a left side elevational view thereof;
FIG. 5 is a top plan view thereof; and
FIG. 6 is a bottom plan view thereof.

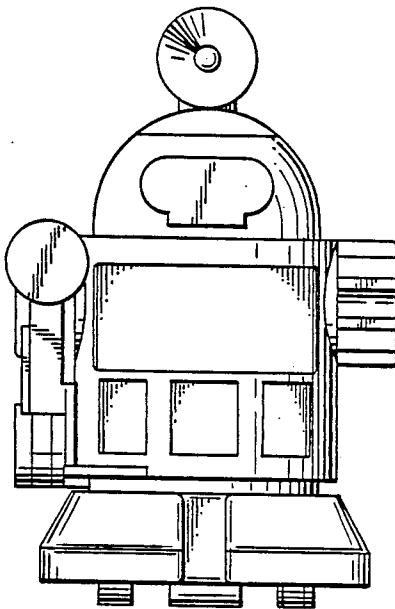


FIG. 1.

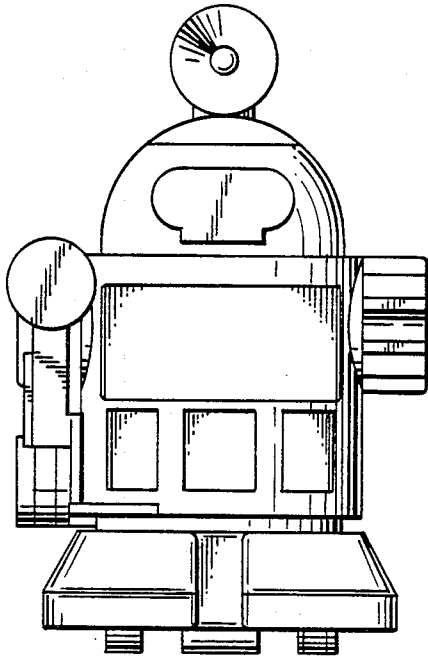


FIG. 2.

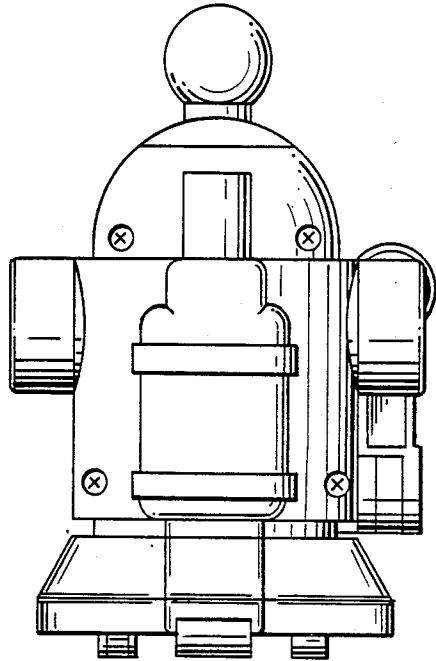


FIG. 3.

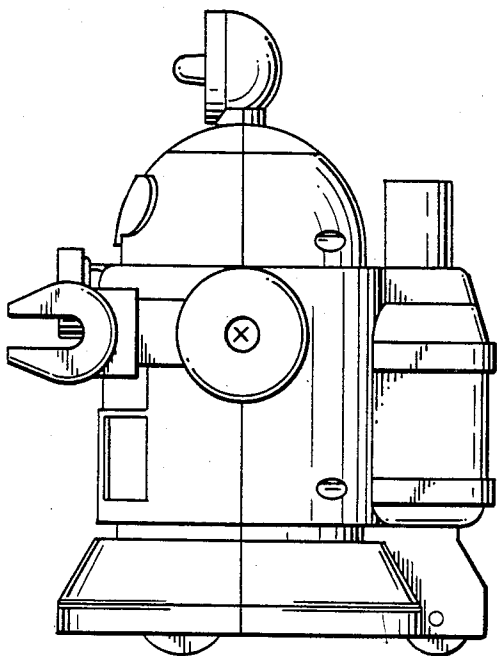


FIG. 4.

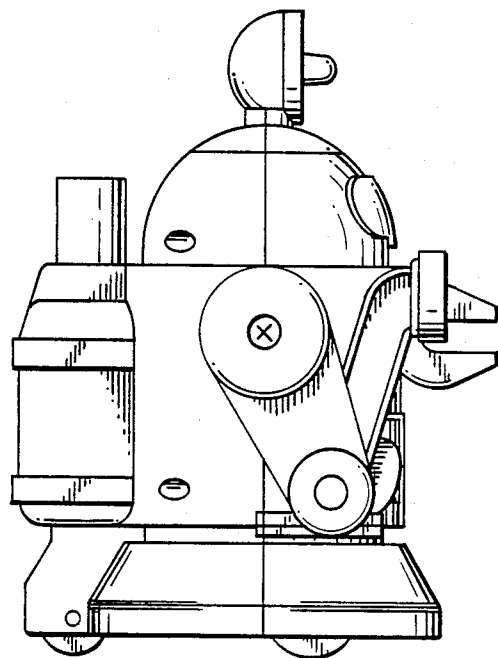


FIG. 5.

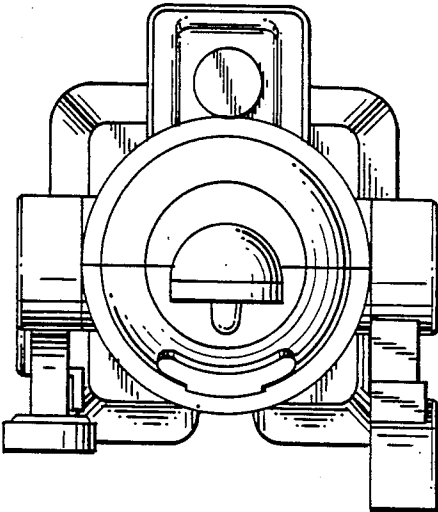


FIG. 6.

