

PLAYSKOOL

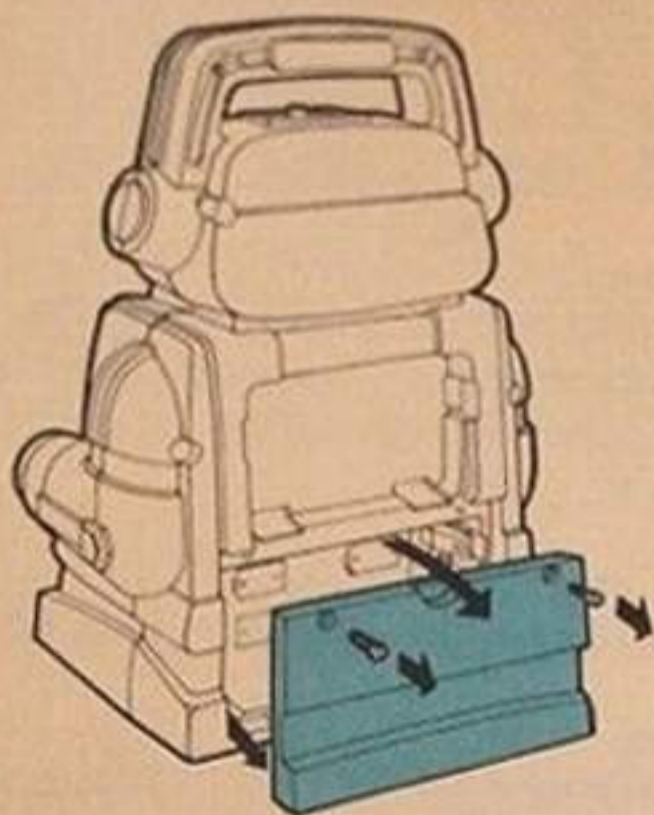
CASEY™

## THE TALKING TAPE PLAYER

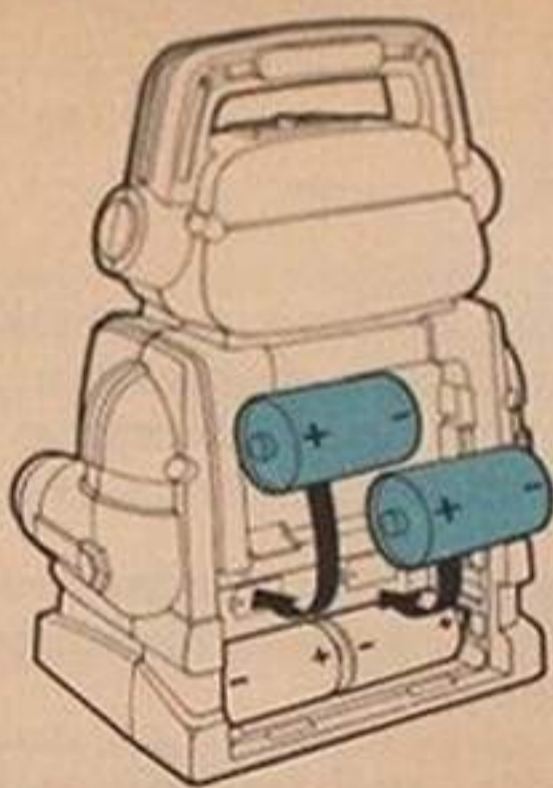
### INSTRUCTIONS

- Casey operates on four "D" size batteries (not included). To insert batteries, unscrew compartment cover in back of Casey and position batteries as shown. (ILL. 1) Fit cover into original position and replace screws. Press Casey's 'Go' Tie to activate his face. Casey's 'Go' Tie must be pressed every time batteries are inserted.

\*\*When batteries become weak, Casey's face will fade or scramble and his tape will sound distorted. For best results, use four fresh alkaline D-cell batteries. Rechargeable batteries are not recommended.



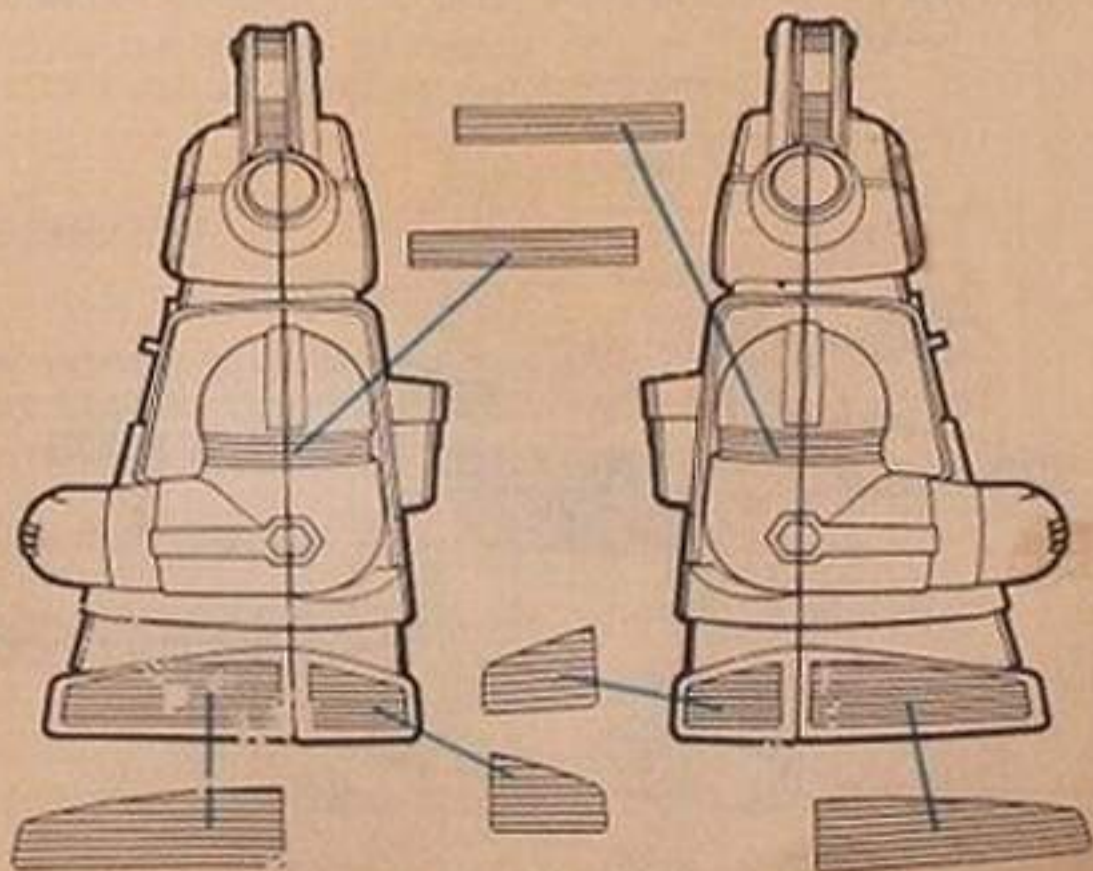
ILL. 1



- Peel and apply labels as shown. (ILL. 2)



ILL. 2





## 90 DAY LIMITED WARRANTY ON CASEY

Playskool, Inc. warrants the Casey tape player to the original purchaser for 90 days from the purchase date, under normal use and service against defective workmanship and materials (batteries excluded). This warranty does not cover damage from accident or misuse.

Playskool will not be liable for loss of use of Casey or incidental or consequential costs or damages incurred by the purchaser. Some states do not allow the exclusion or limitation of incidental or consequential damages, so the above may not apply to you.

If Casey fails to operate properly during the warranty period due to defective workmanship or materials, Playskool will repair or replace it without charge when returned with proof of purchase date, shipping prepaid, to the address below. Playskool will pay the cost of returning the product to you. After the warranty period, until one year from date of purchase, Playskool, at its option will repair or replace Casey when returned as described above, with a check or money order for \$7.50. The address for returns is:

PLAYSKOOL, INC.

Attn: Electronic Warranty Repair

443 Shaker Road

East Longmeadow, MA 01028

This warranty gives you specific legal rights, and you may also have other rights which vary from state to state.