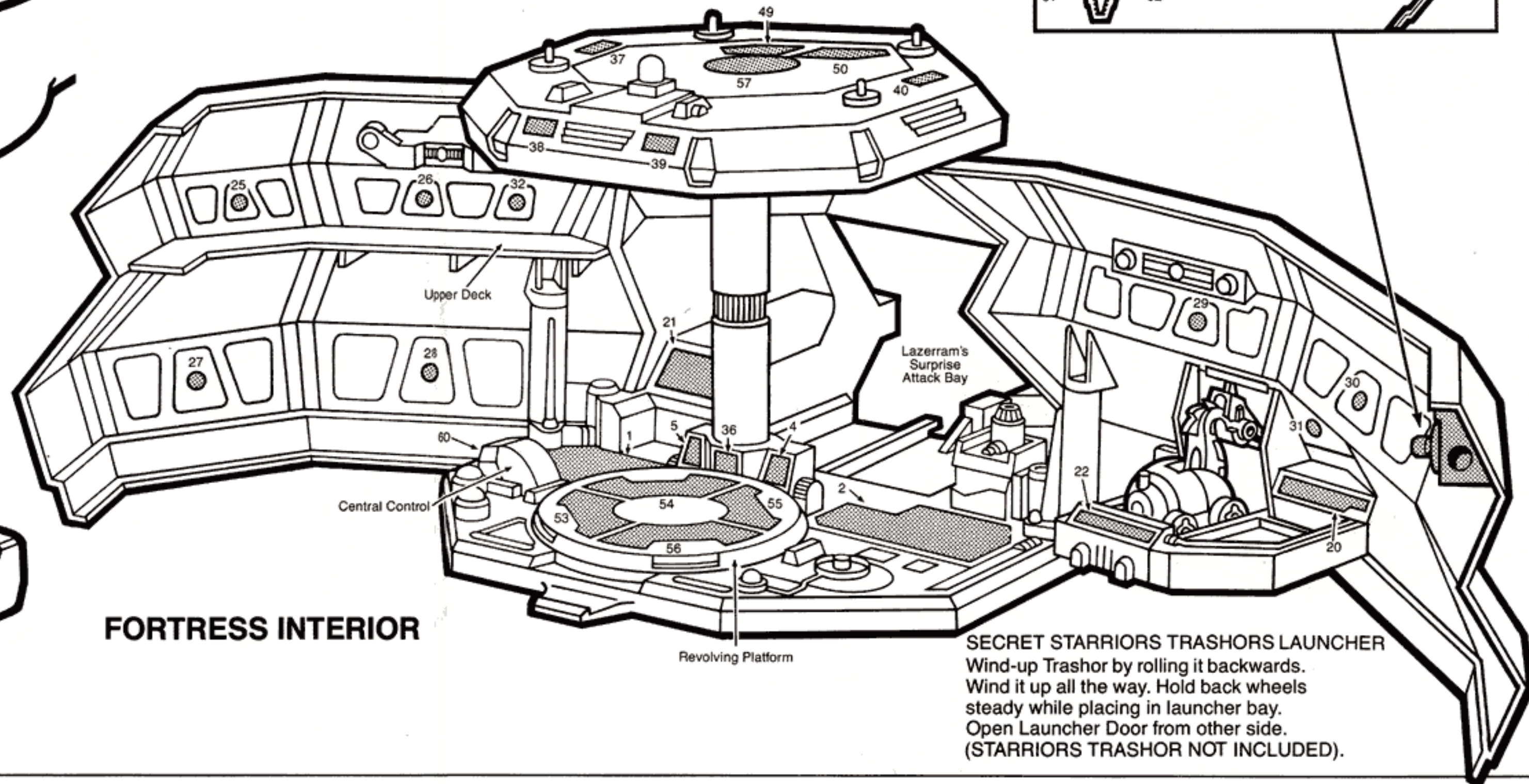
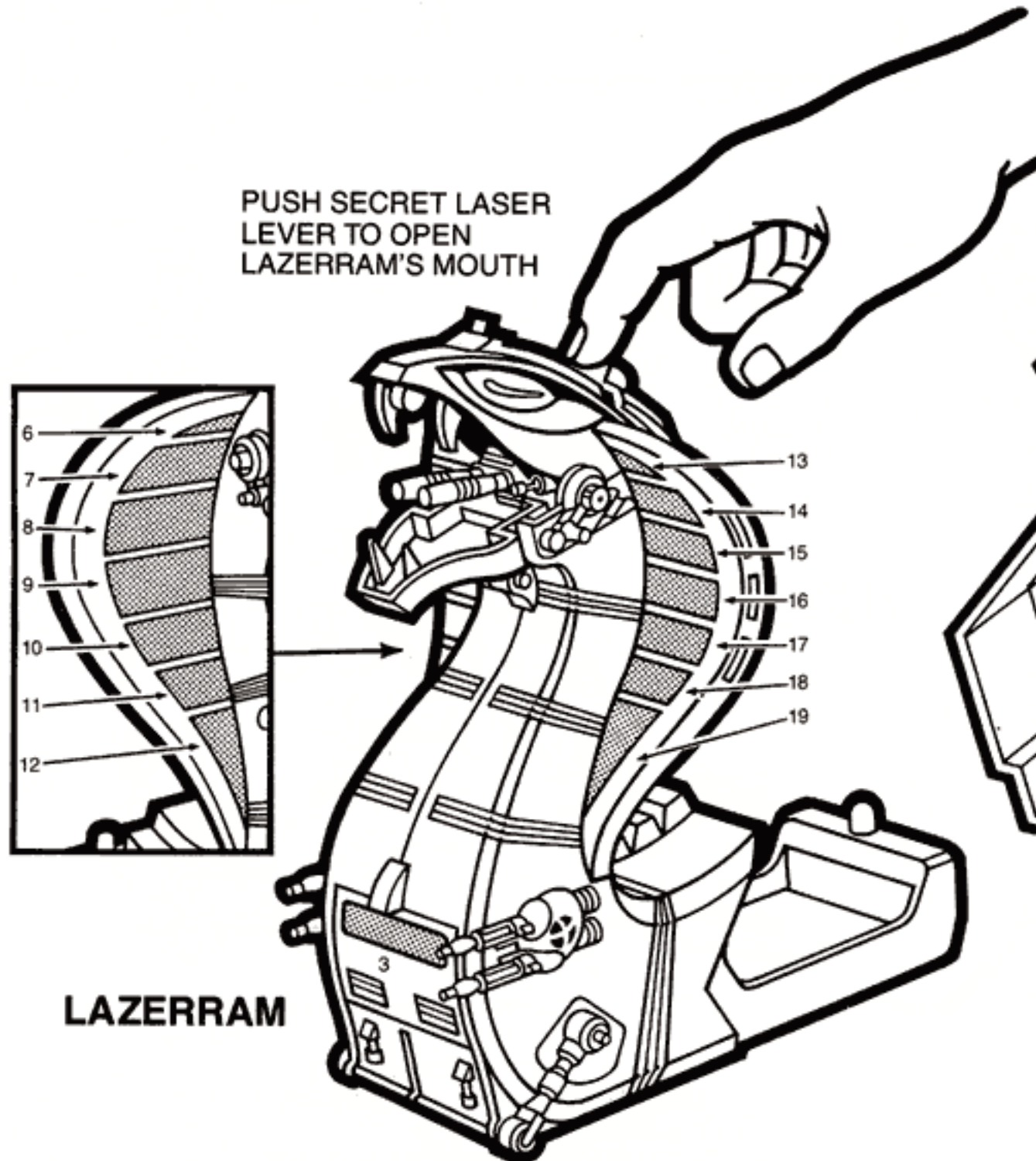
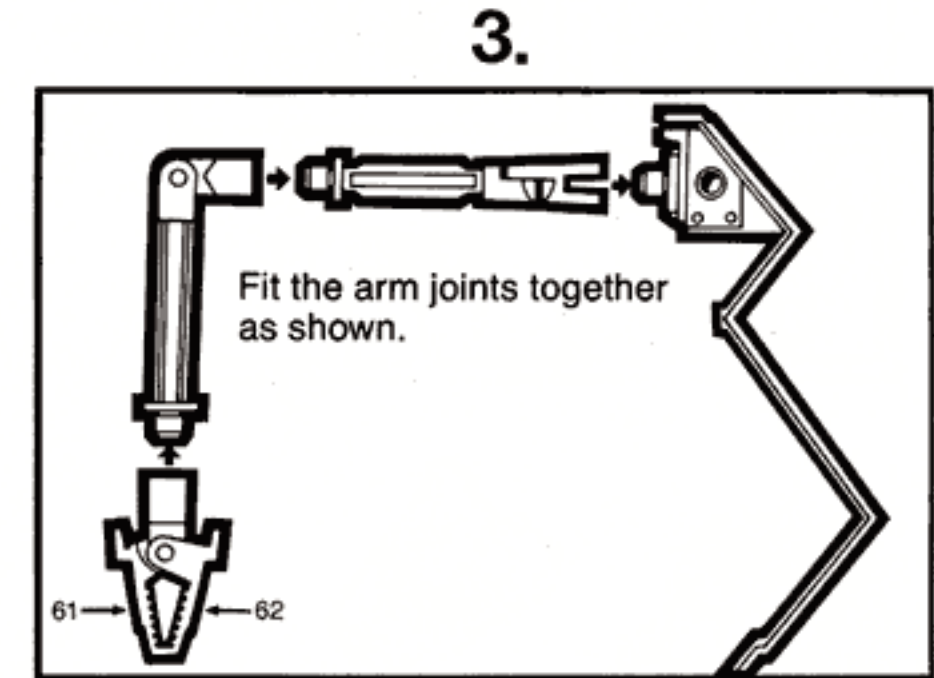
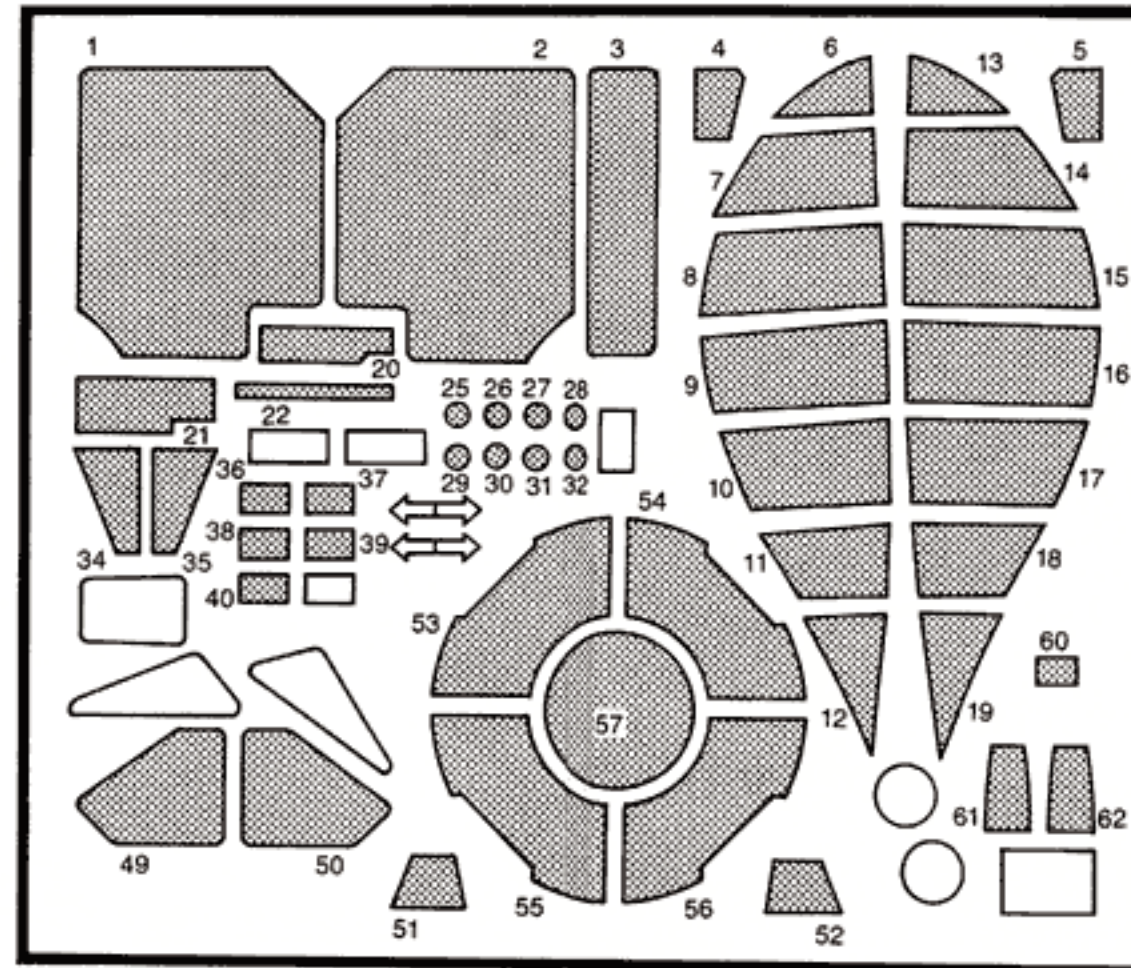
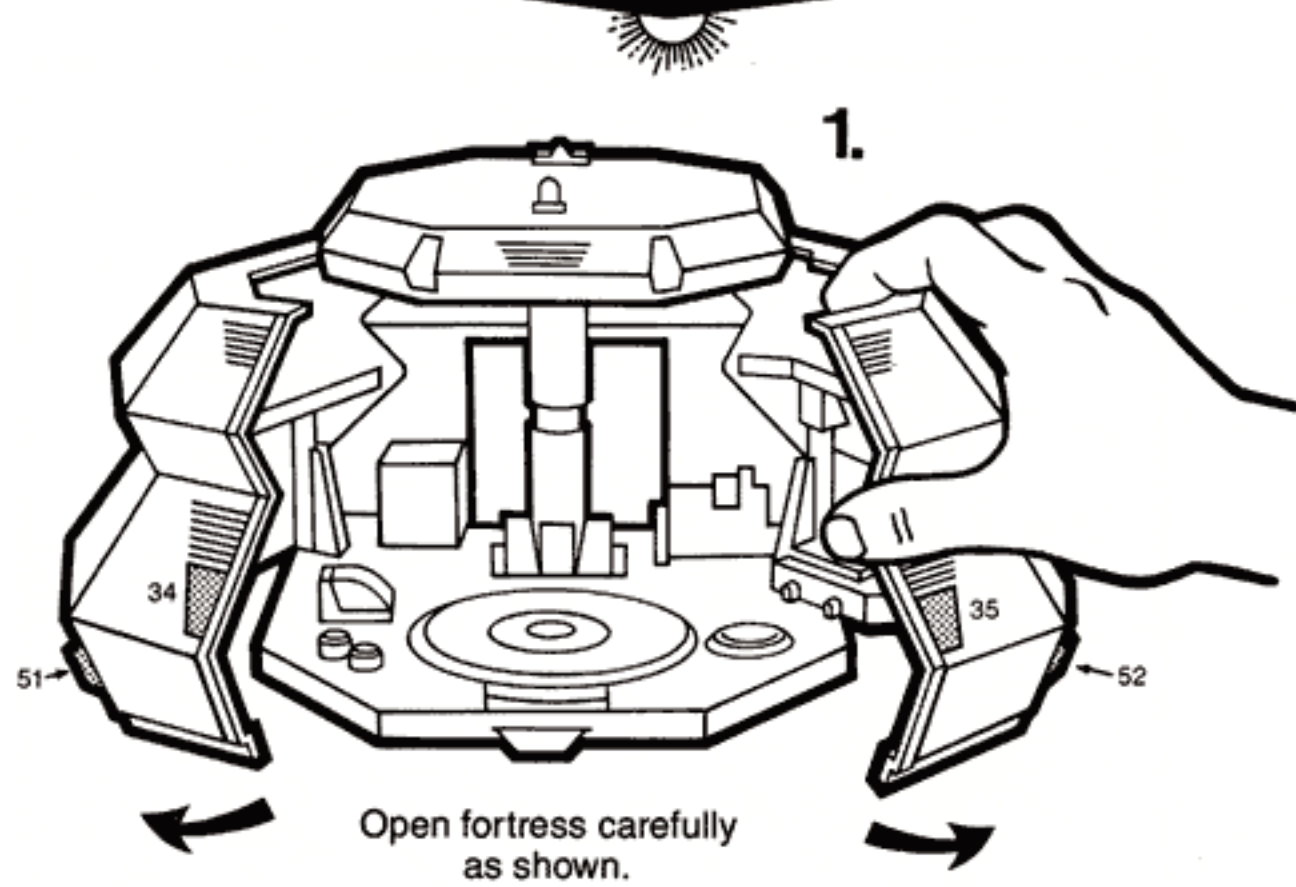


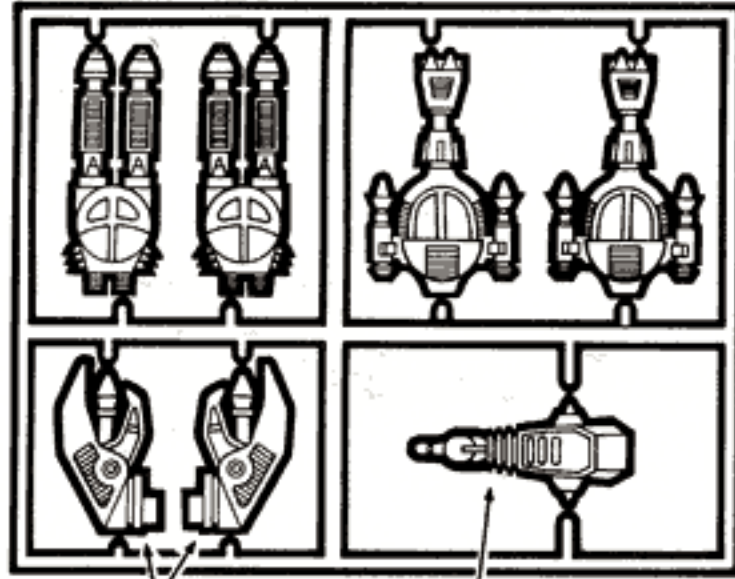
### SIDE ONE



**SECRET STARRIORS TRASHORS LAUNCHER**  
Wind-up Trashor by rolling it backwards. Wind it up all the way. Hold back wheels steady while placing in launcher bay. Open Launcher Door from other side. (STARRIORS TRASHOR NOT INCLUDED).



# STARRIORS™ SIDE TWO

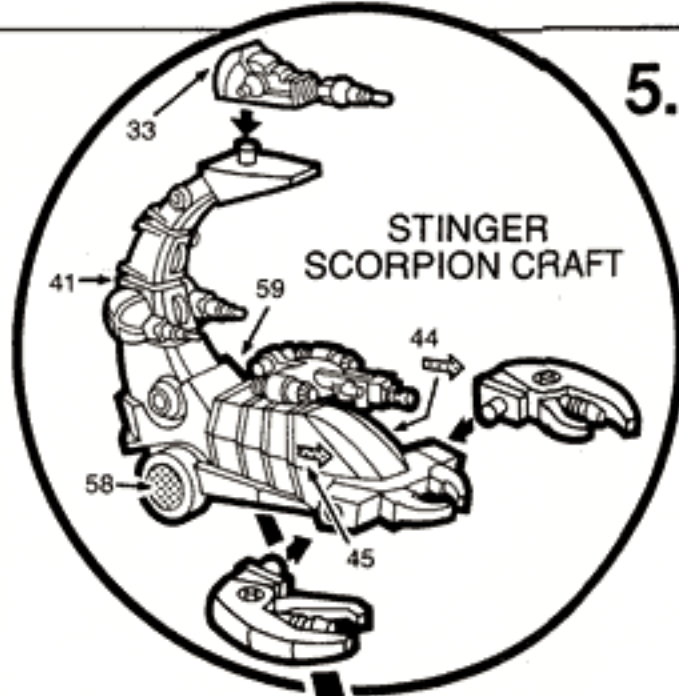


STINGER CLAWS STINGER LASER



ROCKET LAUNCHERS BATTLE PLATFORMS

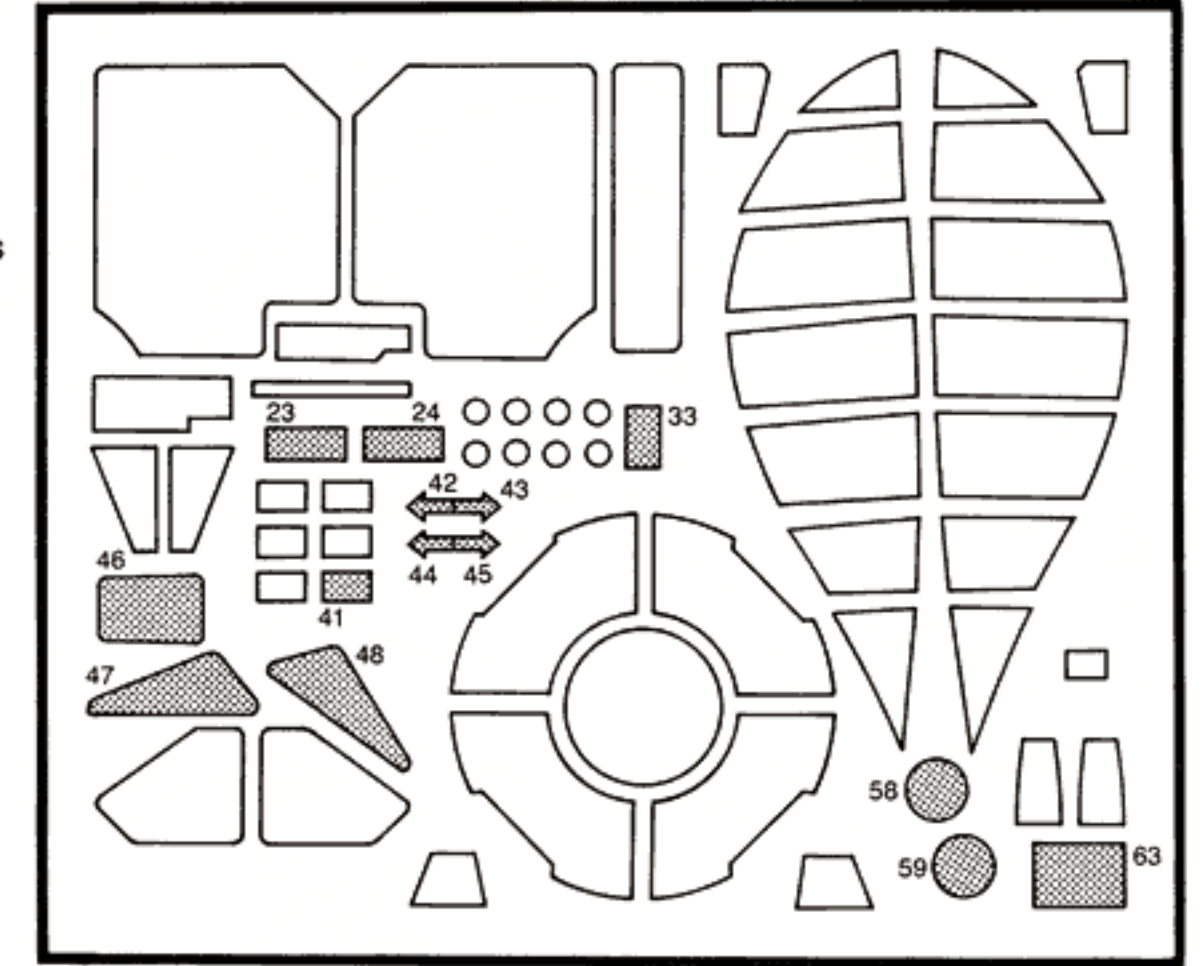
**4. ACCESSORIES**  
Use safety scissors (not included) to cut the weapons from the frame. Trim off any excess plastic.



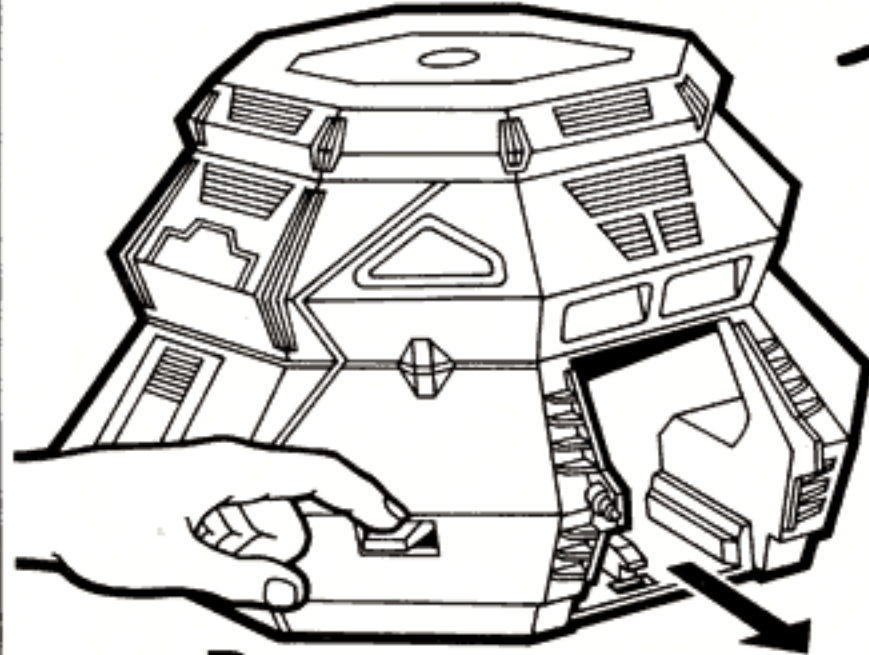
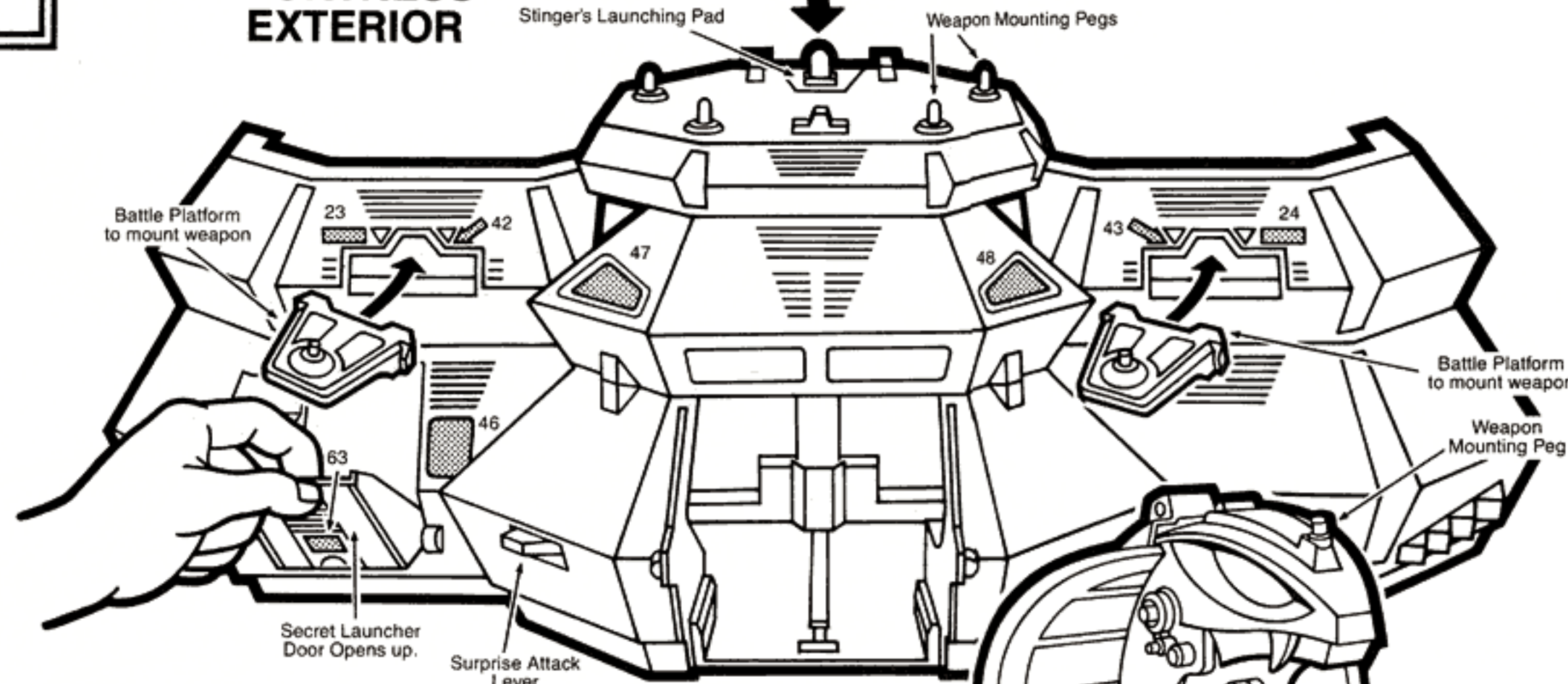
STINGER SCORPION CRAFT

5.

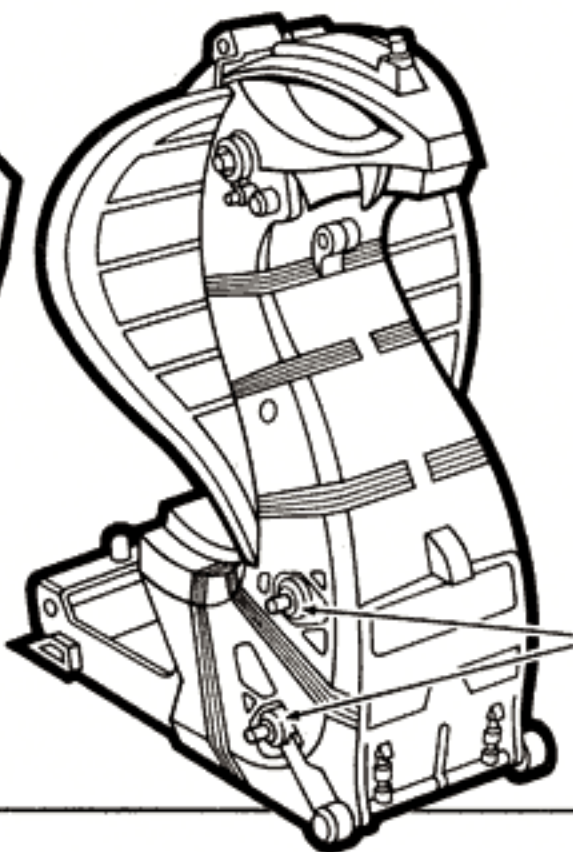
**6. DECAL SHEET**  
Peel and place numbered decals as indicated. (SEE SIDE 1 OF INSTRUCTION SHEET FOR PLACEMENT OF REMAINING DECALS.)



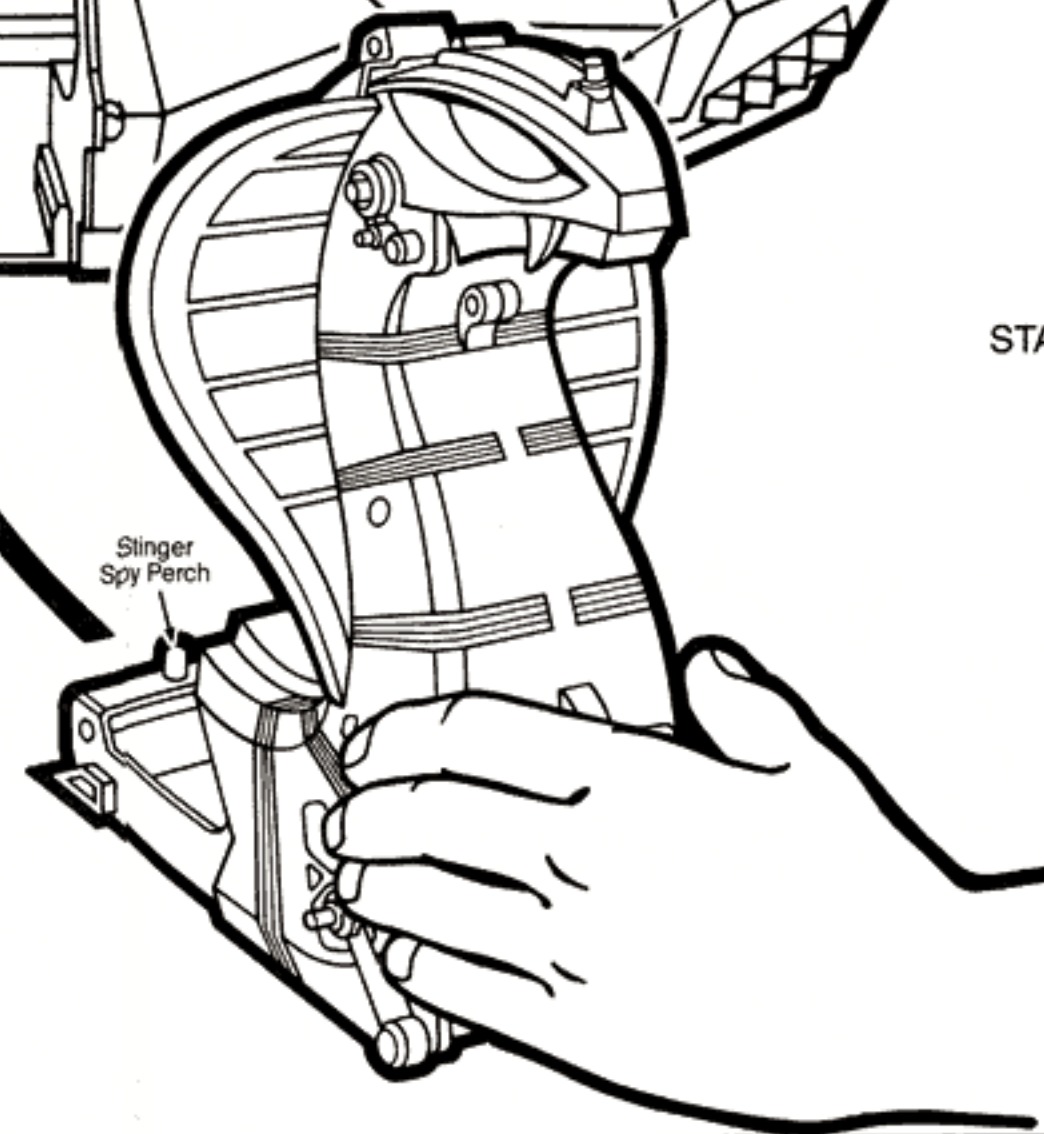
## FORTRESS EXTERIOR



**B.**  
PUSH SURPRISE ATTACK LEVER TO LAUNCH LAZERRAM!

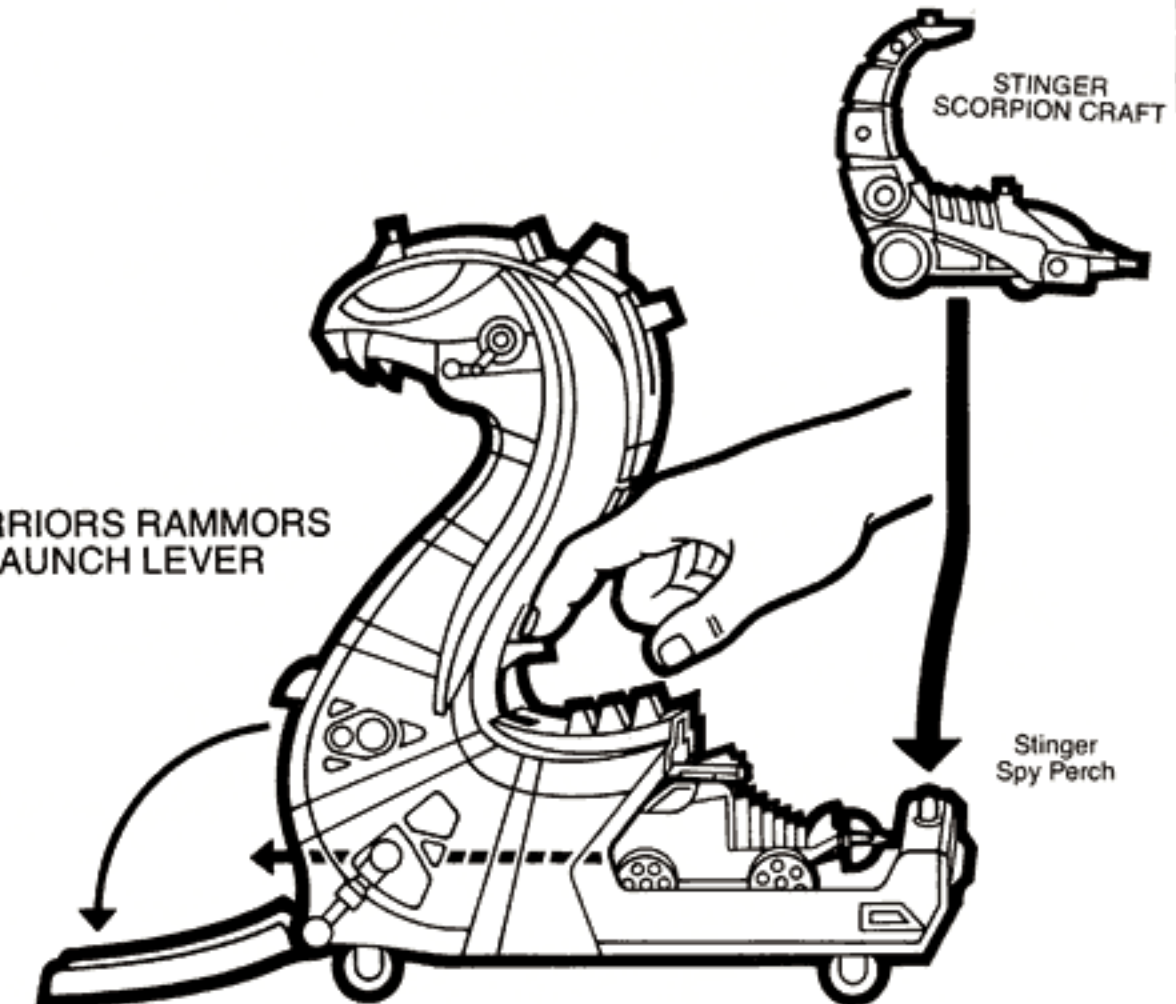


**A.**  
SLIDE LAZERRAM BACK INTO SURPRISE ATTACK BAY UNTIL IT "CATCHES."



Stinger Spy Perch

## STARRIORS RAMMORS LAUNCH LEVER



Stinger Spy Perch

Wind-up Rammor by rolling it backwards. Wind it up all the way. Hold back wheels steady while placing Rammor inside Lazerram as shown. Push Launch Lever down. Rammor takes off through Lazerram's door!  
(STARRIORS RAMMOR NOT INCLUDED).